

SOLOS Mobile AV Cart(Standard Version)

SKU: SO-AVC01-BK

Product Information:

Cart Max Loading Capacity: ≤60KG/276LBS

Product Color: Black Fine Grain

Product Material: Cold Tolled Plate

Nylon(Wheels)

Wood,With Spray(Wood Tray)

Magnet(Cable Strap)

Screen Mounting Frame Height Range: 45.3"~61.0"/1150mm~1550mm

Screen Mounting Frame Adjust Level: 3 levels

Product Weight: 27.8kg/61.3lbs

Shipping Weight: 35.5kg/78.3lbs

VESA Standard(LxW): 200x100mm; 200x200mm

400x300mm; 400x400mm

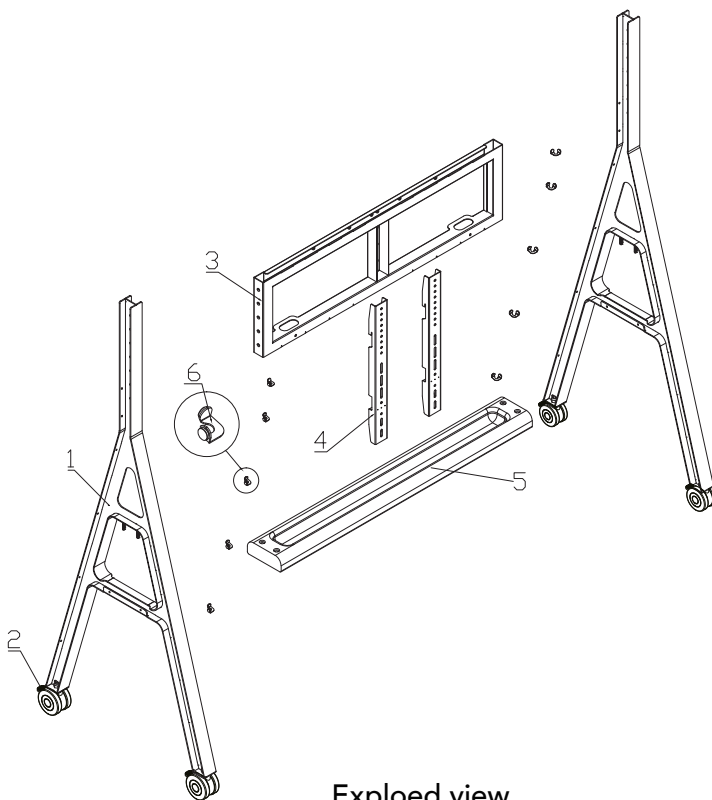
600x400mm; 800x400mm

Optional Accessories: A.Storage Basket

B.Camera Tray and Mini OPS Drawer

C.Dual Screen Expander For Dten 55"

Warranty: 3 Years



Exploded view

Parts	
1	A-shaped Stand
2	Onmidirectional wheel
3	Screen mounting frame
4	Screen Hook
5	Wood Tray
6	Magnet Cable Strap

SOLOS Mobile AV Cart(Standard Version)

SKU: SO-AVC01-BK

Product Diagram

